



Installation Instructions & Release Notes

N°326S
Preamplifier
Phono Modules



Important Safety Instructions

1. Read these instructions
2. Keep these instructions.
3. Heed all warnings.
4. Follow all instructions.
5. Do not use this apparatus near water.
6. Clean only with a dry cloth.
7. Do not block ventilation openings. Install in accordance with the manufacturer's instructions.
8. Do not install near any heat sources such as radiators, heat registers, stoves, or another apparatus that produces heat.
9. Do not defeat the safety purpose of the polarized or grounding-type plug. A polarized plug has two blades with one wider than the other. A grounding-type plug has two blades and a third grounding prong. The wide blade or third prong is provided for safety. If the provided plug does not fit into the outlet, consult an electrician for replacement of the obsolete outlet.
10. Protect the power cord from being walked on or pinched, particularly at plugs, convenience receptacles, or the point where it exits from the apparatus.
11. Only use attachments and accessories specified by the manufacturer.
12.  Use only with the cart, stand, tripod, bracket, or table specified by the manufacturer or sold with the apparatus. When a cart is used, use caution when moving the cart/apparatus combination to avoid injury or tip over.
13. Unplug this apparatus during lightning storms or when unused for long periods of time.
14. Refer all servicing to qualified service personnel. Servicing is required when the apparatus has been damaged in any way, such as when the power cord or plug has been damaged; liquid has been spilled or objects have fallen into the apparatus; or the apparatus has been exposed to rain or moisture, does not operate normally, or has been dropped.
15. No naked flame sources, such as candles, should be placed on the apparatus.
16. The power cord is intended to be the safety disconnect device for this apparatus. Ready access to the power cord should be maintained at all times.
17.  Terminals marked with this symbol may be considered HAZARDOUS LIVE and the external wiring connected to these terminals requires installation by an INSTRUCTED PERSON or the use of ready-made leads or cords.

Warning!

To reduce the risk of fire or electric shock, do not expose the apparatus to rain or moisture. Do not place objects containing liquid, such as vases, on this apparatus.



ESD (Electrostatic Discharge) Precautions



CAUTION

The following practices minimize possible damage to circuit board assemblies resulting from electrostatic discharge or improper insertion:

- Keep circuit board assemblies in their original containers until ready for use.
- Avoid having plastic, vinyl, or Styrofoam in the work area.
- Wear an anti-static wrist strap.
- Discharge personal static before handling circuit board assemblies.
- Remove and insert circuit board assemblies with care.
- When removing circuit board assemblies, handle only by non-conductive surfaces. Never touch open-edge connectors except at a static-free workstation*.
- Minimize handling of circuit board assemblies.
- Do not slide circuit board assemblies over any surface.
- Insert circuit board assemblies with the proper orientation.
- Use anti-static containers for handling and transporting circuit board assemblies.

FCC Notice

This equipment has been tested and found to comply with the limits for a Class B digital device, pursuant to part 15 of the FCC Rules. These limits are designed to provide reasonable protection against harmful interference in a residential installation. This equipment generates, uses, and can radiate radio frequency energy and, if not installed and used in accordance with the instructions, may cause harmful interference to radio communications. However, there is no guarantee that interference will not occur in a particular installation. If this equipment does cause harmful interference to radio or television reception, which can be determined by turning the equipment off and on, the user is encouraged to try to correct the interference by one or more of the following measures:

- Reorient or relocate the receiving antenna.
- Increase the separation between the equipment and the receiver.
- Connect the equipment into an outlet on a circuit different from that to which the receiver is connected.
- Consult an authorized Mark Levinson dealer or an experienced radio/TV technician for help.

Caution!

Changes or modifications not expressly approved by the party responsible for compliance could void the user's authority to operate the equipment.

iv

Canada

This Class B digital apparatus complies with Canadian ICES-003.

Cet appareil numérique de la classe B est conforme à la norme NMB-003 du Canada.



3 Oak Park
Bedford, MA 01730-1413 USA
Telephone: 781-280-0300
Fax: 781-280-0490
www.marklevinson.com

Customer Service

Telephone: 781-280-0300
Sales Fax: 781-280-0495
Service Fax: 781-280-0499

Product Shipments

16 Progress Road
Billerica, MA 01821-5730 USA

Part No. 070-16659 | Rev 0 | 06/04

“Mark Levinson” and the Mark Levinson logo are registered trademarks of Harman International Industries. U.S. patent numbers and other worldwide patents issued and pending.

“Madrigal Audio Laboratories” and the Madrigal Audio Laboratories logo are registered trademarks of Harman International Industries. U.S. patent numbers and other worldwide patents issued and pending.

©2004 Harman Specialty Group. All rights reserved.

This document should not be construed as a commitment on the part of Harman Specialty Group. The information it contains is subject to change without notice. Harman Specialty Group assumes no responsibility for errors that may appear within this document.

Table of Contents

Documentation Conventionsvi
Special Design Features1
Unpacking2
Configuring & Installing the Phono Modules2
Configuration Instructions ▪ Installation Instructions	
Making Phono Input Connections9
Phono Input Settings10
Name ▪ Bal	
Phono Module Specifications15
Notes16

Documentation Conventions

This document contains hardware installation instructions and software release notes for the N°326S Preamplifier Phono Modules. Refer to the N°326S Preamplifier Owner's Manual for general safety, installation, and operation instructions.



Appears on the component to indicate the presence of uninsulated, dangerous voltages inside the enclosure – voltages that may be sufficient to constitute a risk of shock.



Appears on the component to indicate important operation and maintenance instructions included in the accompanying documentation.



Appears on the component to indicate compliance of with the EMC (Electromagnetic Compatibility) and LVD (Low-voltage Directive) standards of the European Community.



Calls attention to an ESD (electrostatic discharge) procedure, practice, condition, or the like that, if not correctly performed or adhered to, could result in damage to circuit board assemblies.

WARNING

Calls attention to a procedure, practice, condition, or the like that, if not correctly performed or adhered to, could result in personal injuries or death.

CAUTION

Calls attention to a procedure, practice, condition, or the like that, if not correctly performed or adhered to, could result in damage or destruction to part or all of the component.

Note

Calls attention to information that is essential to highlight.

Special Design Features

- **Seamless Integration**

When the phono modules are installed, the stereo **input connector** labeled 7 becomes the **phono input** connector, accepting input signals from most phono cartridges. As a result, the phono modules benefit from all the high-performance power supply and noise suppression features designed into the N°326S, allowing them to deliver exceptional sound quality. Each phono module relies on the same low-noise power supply as the main audio circuits in addition to its own local, low-noise, high-speed voltage regulators.

- **Flexible Configuration**

Multiple loading and **input gain** options make the phono modules compatible with most phono cartridges, including moving-coil, moving-magnet, high-output, and low-output designs. Three adjustable jumpers provide 200 Ω or 47k Ω **resistive loading**; 0 or 10nF **capacitive loading**; and 40 or 60dB **input gain**. Convenient gold-plated, solder-less screw terminals accommodate **custom loading**.

- **Balanced Design**

Available on a proprietary Mark Levinson-designed stereo RCA connector, the **phono input** provides the same common mode noise rejection benefits as a balanced XLR connector. The **input gain** stage produces a symmetrical pair of opposite polarity signals, based solely on voltage differences present at the input. Each balanced signal follows the same signal path, including identical RIAA equalization.

- **Instrumentation Amplifier Stage**

Gain is distributed over two stages, allowing ample bandwidth and open-loop gain for superior performance – even at the 60dB **input gain** required for moving-coil phono cartridges. Introduced with the N°38, the instrumentation amplifier stage resolves tiny electrical signals from potentially noisy environments. This method offers high common mode noise rejection without the limitations of transformer-based designs.

- **Precise RIAA Equalization**

A balanced pair of RIAA equalization circuits follows the **input gain** stages. These circuits include a filter constructed with 0.5% non-inductive metal-film resistors and 2.5% stacked-film capacitors as well as a subsonic filter below 10Hz for uncompromised RIAA curve accuracy.

- **Arlon Circuit Boards**

Arlon® circuit boards respond more quickly to transient signals in both the high- and low-frequency regions. Arlon also presents a deeper imaging that reveals more of the subtle

nuances of a recording, imparts a more engaging texture to the high frequencies, and presents more of the ambience of a recording. All of these properties work together to yield a sonic signature that is wider, deeper, warmer, and clearly superior.

Unpacking

CAUTION

FOLLOW PRESCRIBED ESD PRECAUTIONS (page iii).

When unpacking the phono modules:

- Save all packing materials for possible future shipping needs.
- Inspect the phono modules for signs of damage during shipment. If damage is discovered, contact an authorized Mark Levinson dealer for assistance making the appropriate claims.
- Locate and remove all items from the packing carton. Contact an authorized Mark Levinson dealer if the packing carton does not include all of the items listed in the table below.

Item	Quantity
N°326S Phono Modules	2
Anti-static wrist strap	1
1/8-inch hex-key	1
Flat-blade screwdriver	1

Configuring & Installing the Phono Modules

The phono modules require special care and handling during configuration and installation to ensure optimal performance. Pay particular attention to precautions that appear in this section, as well as to the *Important Safety Instructions* (page ii) and *ESD Precautions* (page iii). **Damage caused during configuration or installation may void the manufacturer's warranty and/or standard repair policies.**

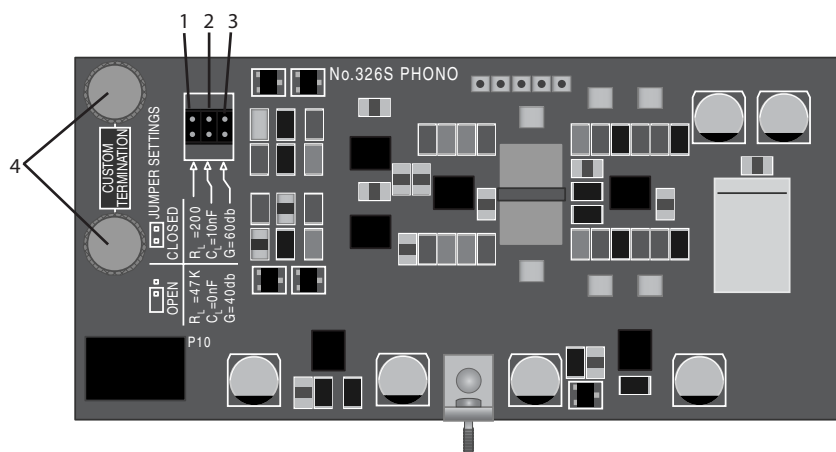
NOTE: N°326S phono modules may be used with the N°320S preamplifier without modification.

Configuration Instructions

The phono modules must be optimized to work with the associated phono cartridge. Each phono module includes:

- 1 adjustable **resistive load** jumper
- 1 adjustable **capacitive load** jumper
- 1 adjustable **input gain** jumper
- 2 screw terminals that accommodate **custom loads**

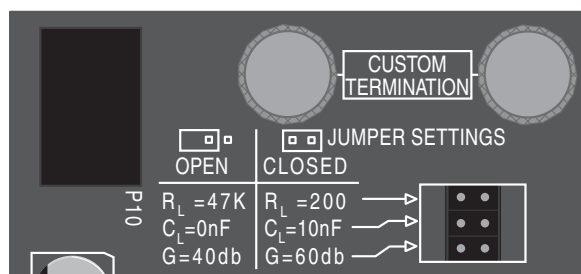
These features are identified in the illustration shown below.



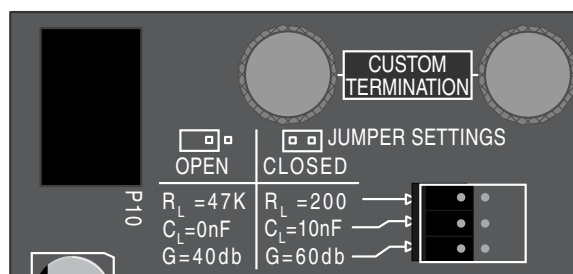
3

The numbered items in the phono module illustration shown above correspond with the numbered items that begin on the next page. The left and right-channel phono modules are identical.

Each jumper can be **OPEN** or **CLOSED**, depending on the needs of the associated phono cartridge. Select one setting for each jumper. Refer to the illustrations shown below for recommendations.



When the phono modules are shipped, all jumpers are **CLOSED** as shown in the illustration above. In general, it is recommended to leave all jumpers **CLOSED** for most low-output, moving-coil phono cartridges.



In general, it is recommended to **OPEN** all jumpers for most high-output, moving-magnet phono cartridges.

1. Resistive Load (RL) Jumper

Moving-coil phono cartridges often benefit from a low-value resistor termination.

- Leave the **resistive load** jumper **CLOSED** to place a 200 Ω resistor load on the **phono input**.
- **OPEN** the **resistive load** jumper to place a 47k Ω resistor load on the **phono input**.

2. Capacitive Load (CL) Jumper

Low-impedance moving-coil phono cartridges often benefit from a capacitor termination.

- Leave the **capacitive load** jumper **CLOSED** to place a 10nF capacitor load on the **phono input**.
- **OPEN** the **capacitive load** jumper to place no capacitor load on the **phono input**.

Note

- When both the **capacitive** and **resistive load** jumpers are **OPEN**, **custom loads** are in parallel with the 47k Ω input resistor. This parallel combination becomes more significant as **custom loads** exceed 5k Ω in value. Use the following formula if an exact termination value is desired: $[RL=1/(1/custom\ load+1/47K\Omega)]$.
 - Contact the phono cartridge manufacturer for specific **capacitive** and **resistive loading** recommendations.
-

3. Input Gain (G) Jumper

Low-output (<5mV) phono cartridges often benefit from more **input gain**. High-output (>5mV) phono cartridges often benefit from less **input gain**.

- Leave the **input gain** jumper **CLOSED** to place 60dB of gain on the **phono input**.
- **OPEN** the **input gain** jumper to place 40dB of gain on the **phono input**.

4. Custom Load Screw Terminals

- Fasten the desired value resistor and/or capacitor to the screw terminals to place a **custom load** on the **phono input**.
- In some cases, manufacturers recommend resistive loads other than 200 Ω or 47k Ω . The screw terminals accommodate **custom loads** below 47k Ω .

Installation Instructions

The following materials are needed to install the phono modules:

Item	Quantity
N°326S Preamplifier	1
N°326S phono modules	2
Anti-static wrist strap	1
1/8-inch hex-key	1
Flat-blade screwdriver	1

Note

The phono modules must be configured **BEFORE** installation.

WARNING

THESE SERVICE INSTRUCTIONS ARE ONLY INTENDED FOR USE BY QUALIFIED PERSONNEL. DO NOT PERFORM ANY SERVICING UNLESS QUALIFIED TO DO SO. REFER TO THE IMPORTANT SAFETY INSTRUCTIONS (PAGE ii) PRIOR TO PERFORMING ANY SERVICE.

5

CAUTION

- **NEVER MAKE OR BREAK CONNECTIONS TO THE N°326S UNLESS IT AND ALL ASSOCIATED COMPONENTS ARE POWERED OFF AND DISCONNECTED FROM ELECTRICAL OUTLETS.**
- **DISCONNECT THE POWER CORD FROM BOTH THE N°326S AND THE ELECTRICAL OUTLET BEFORE INSTALLING THE PHONO MODULES.**

Before installing the phono modules:

- Power off the N°326S and all associated components.
- Disconnect the power cord from the **~ac input** connector AND the electrical outlet.
- Disconnect the N°326S from all associated components.

To install the phono modules:

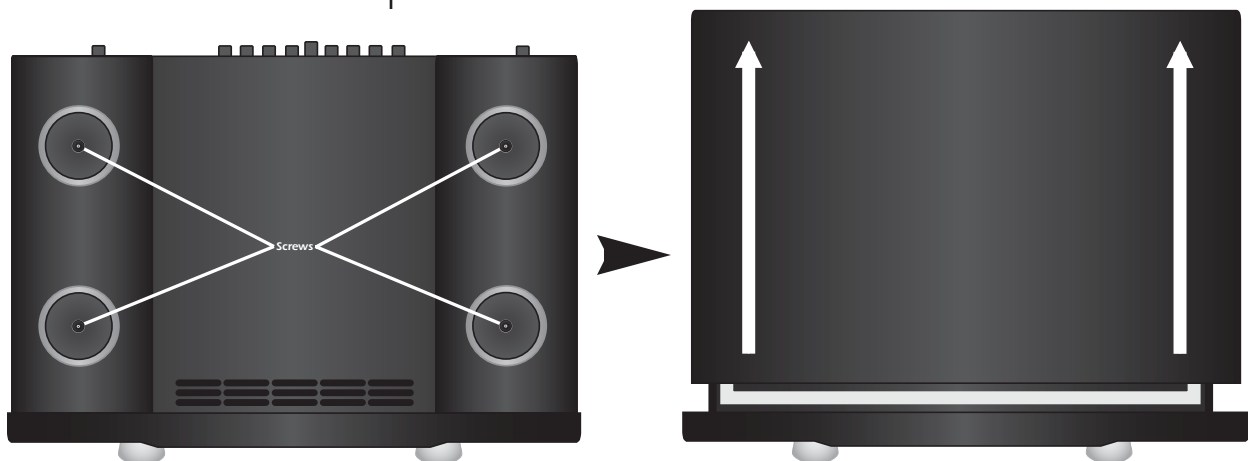
1. Place the N°326S upside-down on a flat, level surface such as a table or workbench. Do not place the N°326S on a surface that is unstable.

Note

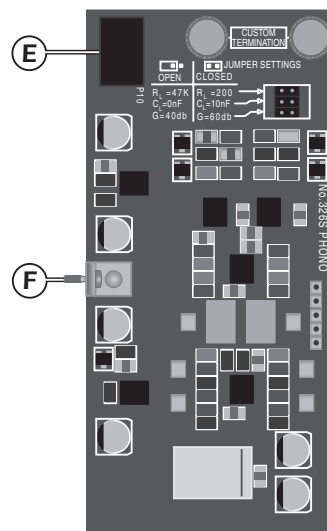
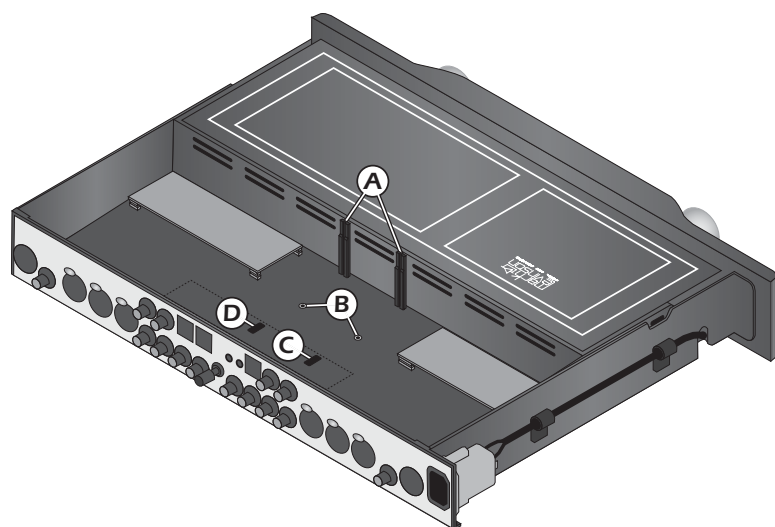
Perform these installation instructions at a static-free workstation to avoid damaging circuit boards. **Damage resulting from failure to work at a static-free workstation may void the manufacturer's warranty and/or standard repair policies.**

2. Use the provided 1/8-inch hex-key to remove the four screws that secure the feet and the top cover. These screws are identified in the illustration shown below (left).
3. Place the N°326S upright on the work surface. Take care to avoid "dropping" the N°326S on the work surface once the feet are removed.
4. Remove the top cover from the N°326S, gently sliding it toward the rear panel as shown in illustration below (right).
5. Put on the provided anti-static wrist strap.
6. Remove the phono modules from their ESD protective bags.

6

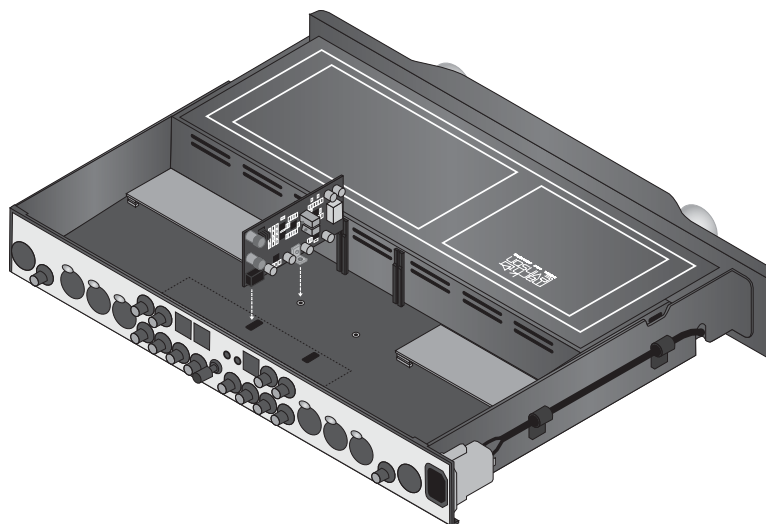


7. Refer to illustrations shown below to locate the following:
 - A. Phono module insertion slots
 - B. Phono module mounting terminals
 - C. Location P300 (plug)
 - D. Location P500 (plug)
 - E. Location P10 (socket)
 - F. Phono module mounting bracket and screw



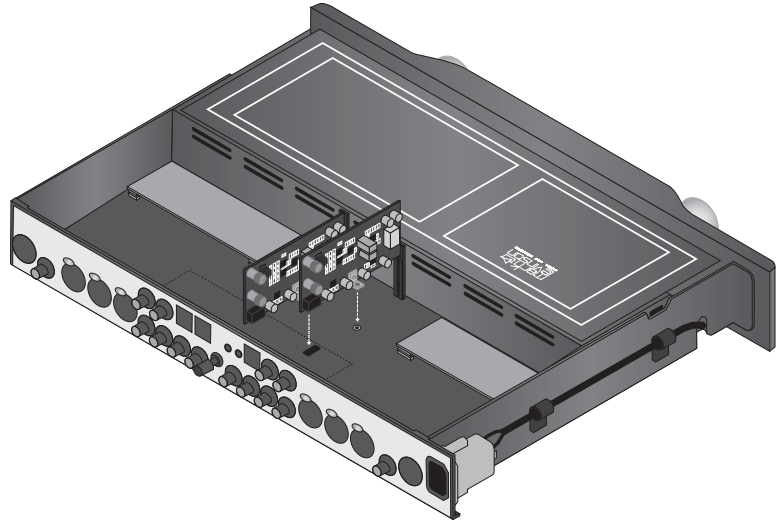
The lettered items in the illustrations shown above correspond with the lettered items listed in step 7 (above) and referenced in steps 8, 9, 10, and 11.

8. Gently slide one of the phono modules into the left-most insertion slot (A) as shown in the illustration to the right. The socket at location P10 (E) on the phono module will connect with the plug at location P500 (D) on the main circuit board, and the phono module mounting bracket (F) will align with the mounting terminal (B) on the main circuit board.

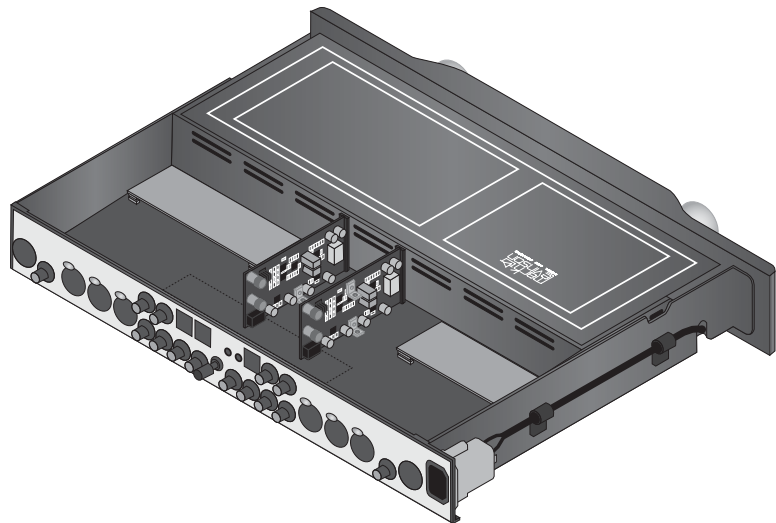


9. Align the phono module mounting bracket mounting screw (F) with the mounting terminal (B) on the main circuit board. Then, use the supplied flat-blade screwdriver to secure the phono module to the main circuit board. Take care not to “over-tighten” the mounting screw.

10. Gently slide the second phono module into the right-most insertion slot (A) as shown in the illustration to the right. The socket at location P10 (E) on the phono module will connect with the plug at location P300 (C) on the main circuit board, and the phono module mounting bracket (F) will align with the mounting terminal (B) on the main circuit board.



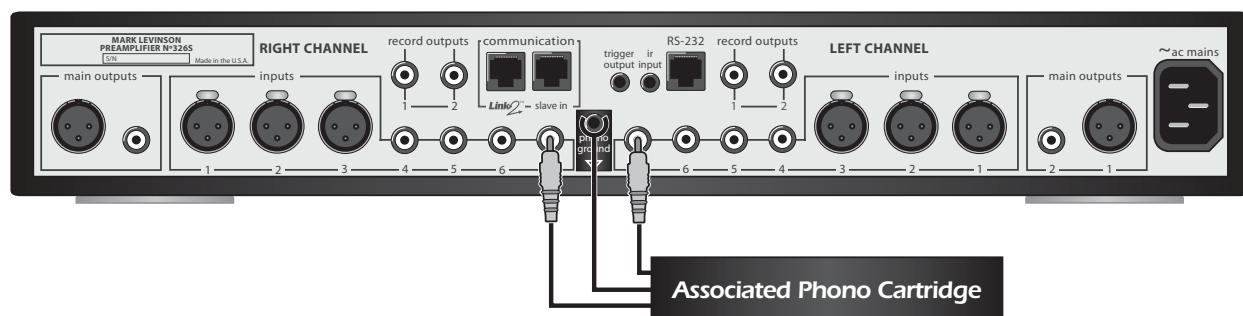
11. Align the phono module mounting bracket mounting screw (F) with the mounting terminal (B) on the main circuit board. Then, use the supplied flat-blade screwdriver to secure the phono module to the main circuit board. Take care not to “over-tighten” the mounting screw.



12. Replace the top cover from the N°326S, gently sliding it toward the front panel.
13. Place the N°326S upside-down on the work surface. Take care to avoid “dropping” the N°326S on the work surface once the top cover is replaced.
14. Use the provided 1/8-inch hex-key to replace the four screws that secure the feet and the top cover. These screws are identified in the illustrations at the bottom of page 6.

Making Phono Input Connections

Installing the phono modules allows the N°326S to serve as a phono preamplifier. When shipped the N°326S includes seven stereo **input connectors** that accept line-level input signals from associated components. Once the phono modules are installed, the stereo **input connector** labeled 7 serves as the **phono input connector**, accepting input signals from a phono cartridge.



To connect the N°326S to a phono cartridge:

- Connect the associated phono cartridge cable to the stereo **input connectors** labeled 7 as shown in the illustration above.

9

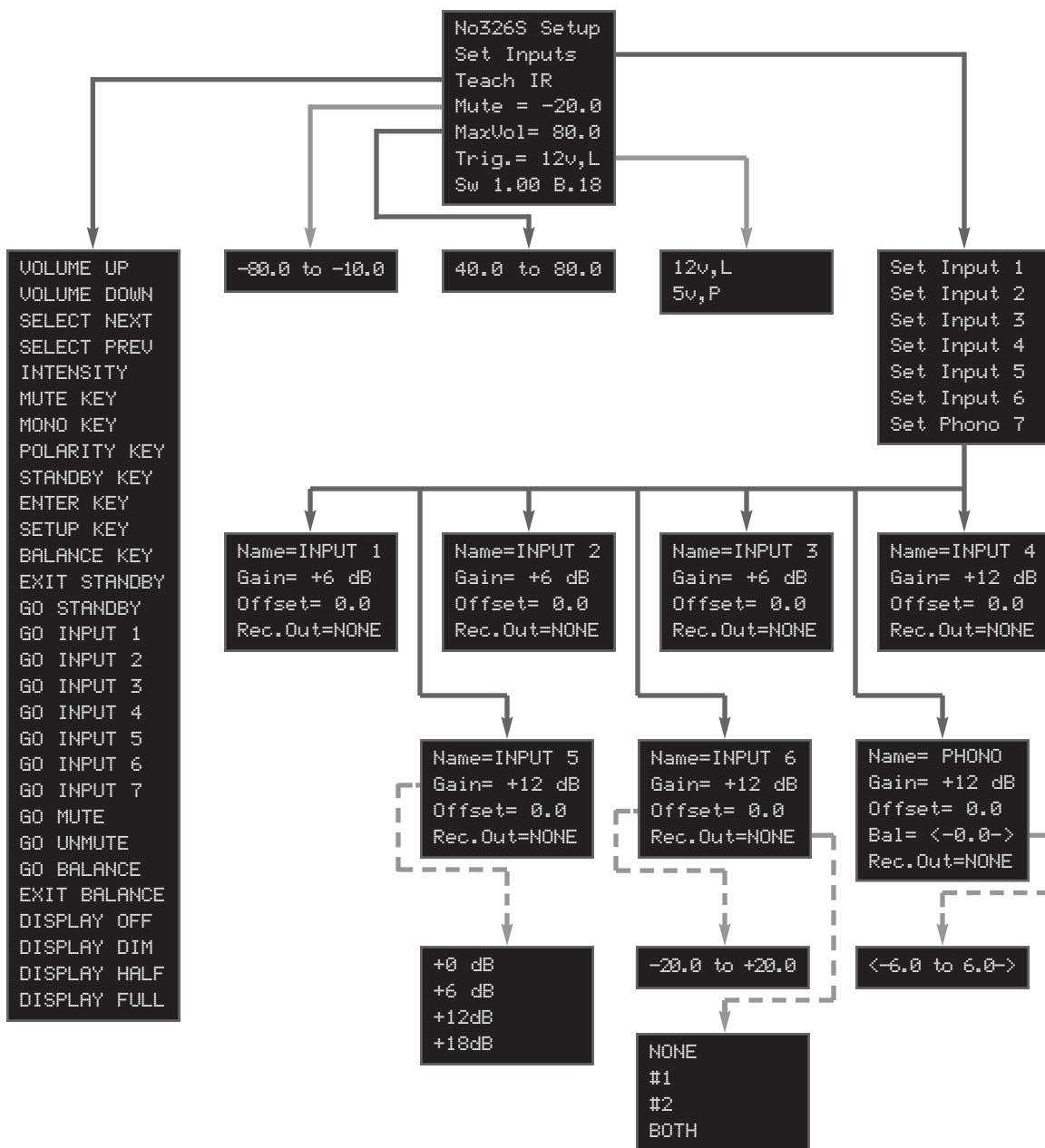
The N°326S also includes a **phono ground** connector, which provides an earth-reference ground connection for the associated phono cartridge. Connecting the associated phono cartridge grounding wire to the **phono ground** connector grounds the associated phono cartridge to the N°326S chassis, which sometimes reduces audible hum and other noise that results from multiple grounding paths. Otherwise, the ground connection between the associated phono cartridge and the N°326S chassis is isolated.

Note

Listen to the associated phono cartridge both with and without the phono ground connection. Then, select the connection that results in the best performance.

Phono Input Settings

When the phono modules are not installed, the stereo **input connector** labeled 7 serves as the **phono input** connector. This input is renamed **PHONO** within the setup menu, and new parameters and settings are added to its **Set Inputs** menu. Other inputs and setup menus are not affected. The revised setup menu is shown below.



The front panel display provides one-line viewing of the setup menu shown here, indicating the current menu item.

The table below indicates all **Set Inputs** menu parameters available for the **phono input**.

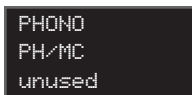
Default Parameter	Setting	Possible Settings
Name	PHONO	PHONO, PH/MC, unused
Gain*	+12dB	+0dB, +6dB, +12dB, +18dB
Offset*	0.0dB	-20.0 to +20.0dB
Bal	0.0	0.0 to 6.0 (left or right)
Rec.Out*	NONE	NONE, #1, #2, BOTH

* *These parameters continue to function as described in the N°326S Owner's Manual.*

Name
PHONO, PH/MC, unused

Determines the name of the **phono input** connector (7). The factory-default input name is **PHONO**. Two methods are available for customizing input names: the **custom names list** and the **character list**.

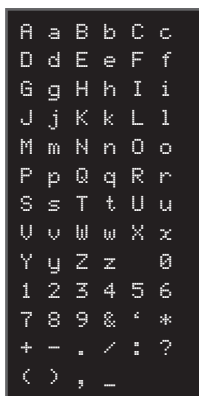
Custom Names List



When the phono modules are not installed, the **phono input** does not have access to the same custom input names as the other stereo inputs. The **custom names list** shown at the left provides convenient access to the three custom input names available for the **phono input**. The table below indicates the intended use of these custom input names.

Custom Name	Description
PHONO	Indicates that the phono input connector is associated with a moving-magnet phono cartridge.
PH/MC	Indicates that the phono input connector is associated with a moving-coil phono cartridge.
Unused	Indicates that the phono input connector is not in use, removing it from select knob or select ± button scrolling.

Character List



When the phono modules are installed, the **phono input** has access to the same **character list** as the other stereo inputs. This **character list** is shown at the left. A custom input name entered with the **character list** replaces the **PH/MC** name on the **custom names list**. In other words, the **character list** is only available when the **PH/MC** custom name is selected.

To change the name of phono input:

1. Rotate the front panel **select knob** or press the remote control **select ± buttons** to select the **phono input**.
 - The front panel display indicates the name and volume level of the selected input.
2. Press and hold the front panel or remote control **setup button** until the **Name** parameter appears on the front panel display.
 - The front panel **setup LED** lights red to indicate that the **setup menu** is open.
3. Press the front panel or remote control **enter button** to select the **Name** parameter.
 - The equal sign between the parameter name and the parameter setting will blink to indicate that the **Name** parameter is selected.
4. Rotate the front panel **volume knob** or press the remote control **volume ± buttons** to scroll through all custom input names included on the **custom names list**.
 - When the **PH/MC** name appears on the front panel display, the name will blink as shown at the left to indicate that the **character list** is available.
5. When the desired custom input name appears on the front panel display, press the **enter button** to select this custom input name.
 - If the **PHONO** or **unused** input name was selected, the **SAVING DATA** message will appear on the front panel display as shown to the left to indicate that the new input name is being saved.
 - If the **PH/MC** input name was selected, the first character in the input name ("P") will blink as shown to the left to indicate that a new custom input name can be entered with the **character list**.

SAVING DATA

Name=_H/MC

SAVING DATA

6. Rotate the **volume knob** or press the **volume ± buttons** to scroll through all available characters.
7. When the desired character appears on the front panel display, press the **enter button** to select this character. The cursor will automatically advance to the next character space.
 - Custom input names can consist of up to 7 characters, including letters, numbers, punctuation marks, and blank spaces.
8. Repeat steps 6 and 7 until all seven characters have been entered. When the seventh character is selected, the **SAVING DATA** message will appear on the front panel display as shown at the left to indicate that the new input name is being saved.
9. Press and release the **setup button** to close the **setup menu**.
 - The front panel **setup LED** is not lit when the **setup menu** is closed.

13

Note

The factory-default input name must be restored one character at a time using the **character list** (unless factory-default settings are restored).

Bal
0.0 to 6.0 (left or right)

Controls the left-to-right channel balance of the **phono input** connector. In some cases, phono cartridges introduce slight level differences between the left and right channels. Adjustable in 0.1dB increments between 0.0 and 6.0dB, the **Bal** parameter can be used to compensate for these differences, ensuring optimal stereo balance between channels.

Note

- The **Bal** parameter does not affect record output levels.
 - The **Bal** parameter affects only the **phono input** connector. It should not be confused with the **Balance** control, which affects all inputs, adjusting the left-to-right channel balance of the **main output** connectors.
-



PHONO (7)



Name= PHONO



Bal= <-0.0->



Bal= 6.0--->



Bal= <---6.0



Bal= <-0.0->

To adjust the Bal parameter:

1. Rotate the front panel **select knob** or press the remote control **select ± buttons** to select the **phono input**.
 - The front panel display indicates the name and volume level of the selected input.
2. Press and hold the front panel or remote control **setup button** until the **Name** parameter appears on the front panel display.
 - The front panel **setup LED** lights red to indicate that the **setup menu** is open.
3. Rotate the **select knob** or press the **select ± buttons** until the **Bal** parameter appears on the front panel display as shown.
4. Press the front panel or remote control **enter button** to select the **Bal** parameter.
 - The equal sign between the parameter name and the parameter setting will blink to indicate that the **Bal** parameter is selected.
5. Rotate the front panel **volume knob** or press the remote control **volume ± buttons** to make balance adjustments:
 - Rotate the **volume knob** clockwise or press the **volume + button** to decrease the level of the left channel and increase the right-channel level. The **Bal** parameter indicates that balance is offset in favor of the right channel.
 - Rotate the **volume knob** counterclockwise or press the **volume – button** to decrease the input level of the right channel and increase the left-channel level. The **Bal** parameter appears as shown to the left to indicate that balance is offset in favor of the left channel.
 - Select the 0.0 setting to balance the input levels of the left and right channels. The **Bal** parameter appears as shown to the left to indicate that balance is centered between the left and right channels.
6. When the desired setting appears on the front panel display, press the **enter button** to select this setting.
7. Press and release the **setup button** to close the **setup menu**.
 - The front panel **setup LED** is not lit when the **setup menu** is closed.

Phono Module Specifications

Unless otherwise specified, these specifications indicate nominal values measured over a 20Hz to 20kHz bandwidth through balanced (XLR) connections.

Gain	<ul style="list-style-type: none"> ▪ 40 or 60dB @ 1kHz
Input Overload	<ul style="list-style-type: none"> ▪ >100mV @ 1kHz, 40dB gain ▪ >10mV @ 1kHz, 60dB gain
Input Impedance	
Resistive	<ul style="list-style-type: none"> ▪ 200Ω or 47kΩ (user-selectable)
Capacitive	<ul style="list-style-type: none"> ▪ 0 or 10nF (user-selectable)
Custom	<ul style="list-style-type: none"> ▪ Gold-plated, solder-less screw terminals are available for user-installed load terminations.
THD + N	<ul style="list-style-type: none"> ▪ <0.02%
Frequency Response	<ul style="list-style-type: none"> ▪ ±1dB (RIAA response)

Specifications are subject to change without notice.



3 Oak Park, Bedford, MA, 01730-1413 USA | Telephone: 781-280-0300 | Fax: 781-280-0490 | www.marklevinson.com

Customer Service: Telephone: 781-280-0300 | Sales Fax: 781-280-0495 | Service Fax: 781-280-0499

Product Shipments: 16 Progress Road, Billerica, MA 01821-5730 USA

Part No. 070-16659 | Rev 0 | 06/04